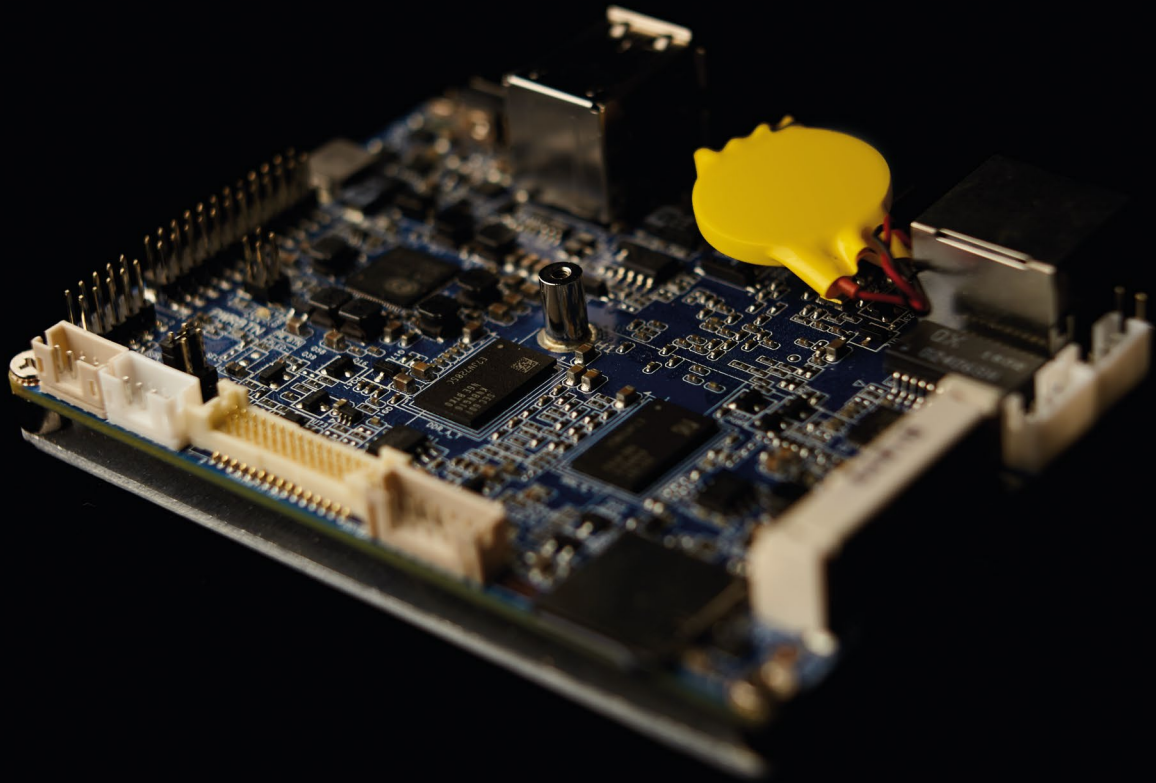


OEM - High and Low Bandwidth Video Encoder PCB's

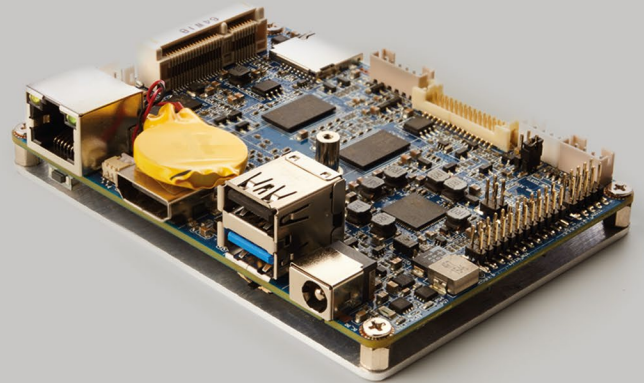


vemotion

More video, less bandwidth

OEM

The **OEM** from Vemotion is a space efficient, multi-channel recording and transmission unit, supporting either Analogue or IP cameras, or both.



The OEM from Vemotion is down to board level; perfect for installations where space is at a premium. It is built as a multiple channel recording and transmission unit supporting either Analogue or IP cameras or both. Vemotion software has been specifically designed to deliver live video and audio transmission, and control over even the most challenging wireless and wired network conditions, for many varied applications in today's distributed world.

Simplicity of operation and ease of integration make an OEM solution a compelling choice. Analogue or HD-SDI options of capture card are easily fitted to the motherboard with internal modem/GPS/Wi-Fi or external (not supplied). Vemotion solutions are enabled with our highly efficient H264 based video compression and transmission technology. This differentiates them within the marketplace, along with ease of use, rock solid performance, in a miniature package.

There is either an internal solid-state drive (SSD) 256 gigabytes for storage, or SD card options. External capacity can be added for increased capacity. Recording and transmission parameters are user defined – with fps, bitrate and resolution completely configurable – QCIF, CIF, 4CIF, D1 & for HD 720p & 1080p. Extra software can be added at cost to support systems for local management including a local user interface for full rate camera viewing and control including recorded footage playback and an option of a local Wi-Fi user interface.

Supporting full and independent remote control for each connected IP or analogue camera, Vemotion supports ONVIF cameras and can integrate any IP based video stream by incorporating the specific URL into our software. All the common protocols for analogue PTZ are accommodated.

All Vemotion products are designed to be 'plug & play', are highly reliable and do not require any specialist SIM cards or expensive airtime contracts. Furthermore, allowing you to control the bandwidth used at any time means you are in complete control.

More Video, Less Bandwidth. Seeing is Believing +44 (0) 330 097 2796 info@vemotion.com www.vemotion.com

OEM Specification 1/2

Pico Board

- Small form factor 2.5" Pico-ITX fan-less Braswell quad/dual core processor
 - Option of Analogue or HDSDI capture card mini-PCIe
 - Configurable recording parameters – per unit
 - Client server architecture
 - Serial interface for RS232/RS485/RS422 from super I/O cabled to 4 pin choc block – please see figure 2 for interface
- Recording Capacity 56GB SSD available as standard
- Dimensions 100mm (W) x 72mm (D)

Rear I/O

- Ethernet 1 x Gigabit Ethernet
- USB 2 x USB 3.0
- Video Out Port 1x HDMI connector

Internal I/O

- Serial 1 x RS-232/422/485 (RS-232 w/ power) cabled to 4 pin choc block
- 1 x RS-232 (2.0mm pitch, right angle type) – free for use
- 1 x USB 2.0 cabled to USB connector
- 1 x USB free for use
- DIO 1 x 8-bit DIO – cable to 8 pin choc block
- SATA 1 x SATA 3.0 (up to 6Gb/s) – free to use Video Out Port

Figure 1

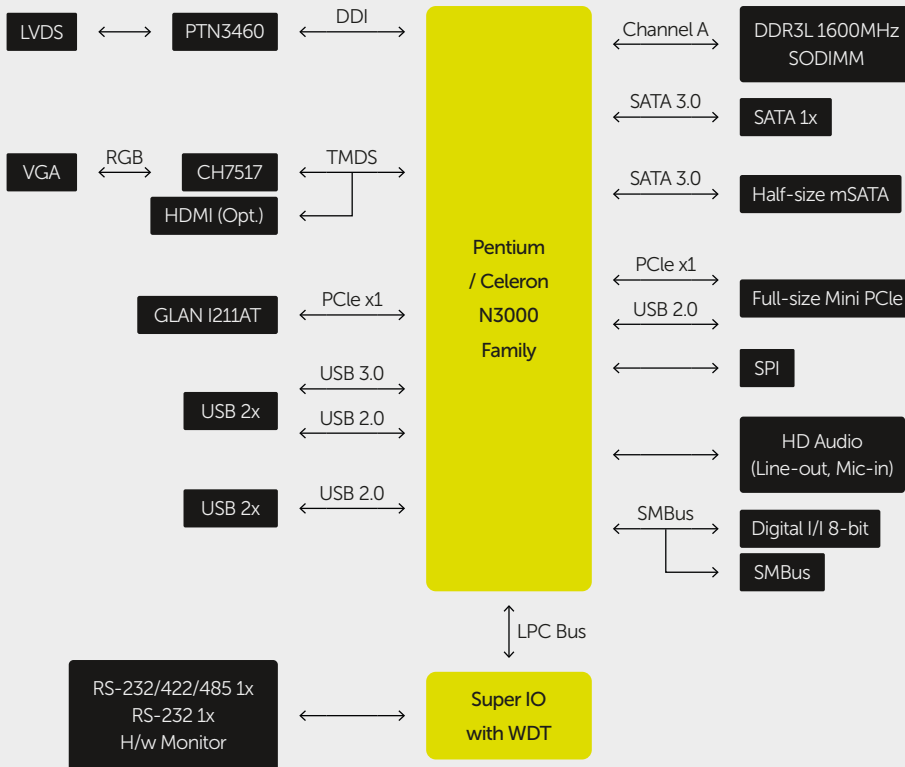
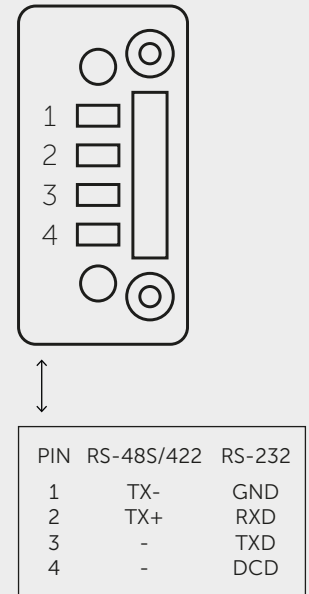


Figure 2



More Video, Less Bandwidth. Seeing is Believing +44 (0) 330 097 2796 info@vemotion.com www.vemotion.com

OEM Specification 2/2

System

RAM	4GB
CPU	Intel Atom
OS	Windows 10
Video Streams Out	Default is 1 stream output more can be purchased as an option

Expansion

-	1 x Half-size mSATA (SATA) with 256GB SSD
-	1 x Full-size Mini PCIe (PCIe/USB) for Analogue or HD-SDI capture card

Analogue Mini-PCIe Option

-	H.264 H/W encoding Mini-PCIe
-	4 BNC/phono connector input via DB9
-	4 channel video and audio input
Supported OS	Windows 10 (32/64 bits)
Max Resolution	720 x 576 25fps
Dimensions	30 x 50.95 mm

Power

-	Supply 12V input (+/-10%) DC
---	------------------------------

Environmental

	CPU loading & -10°C ~ 60°C with HDD, 100% CPU loading
Operating Temperature	0 to 60°C

HD-SDI Mini-PCIe Option

-	H.264 H/W encoding Mini-PCIe
-	One channel video input
Supported OS	Windows 10 (32/64 bits)
Max Resolution	1920x1080 30fps
BNC Connector Input	BNC to I-PEX
Dimensions	L29.8 x W50.8 mm

More Video, Less Bandwidth. Seeing is Believing +44 (0) 330 097 2796 info@vemotion.com www.vemotion.com